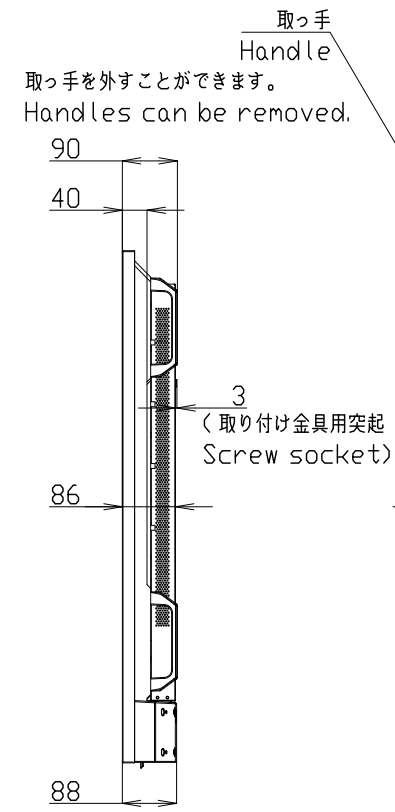
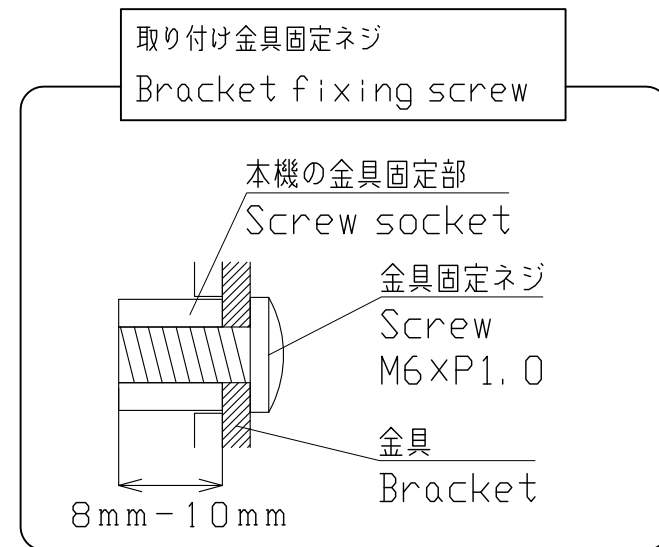
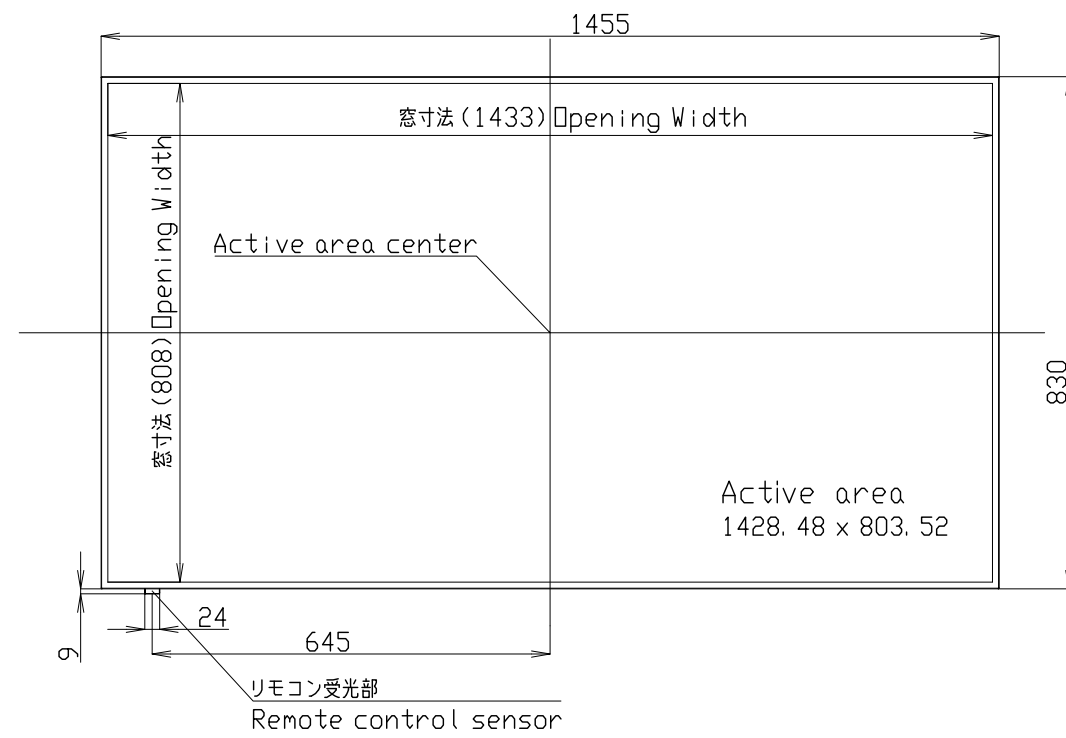
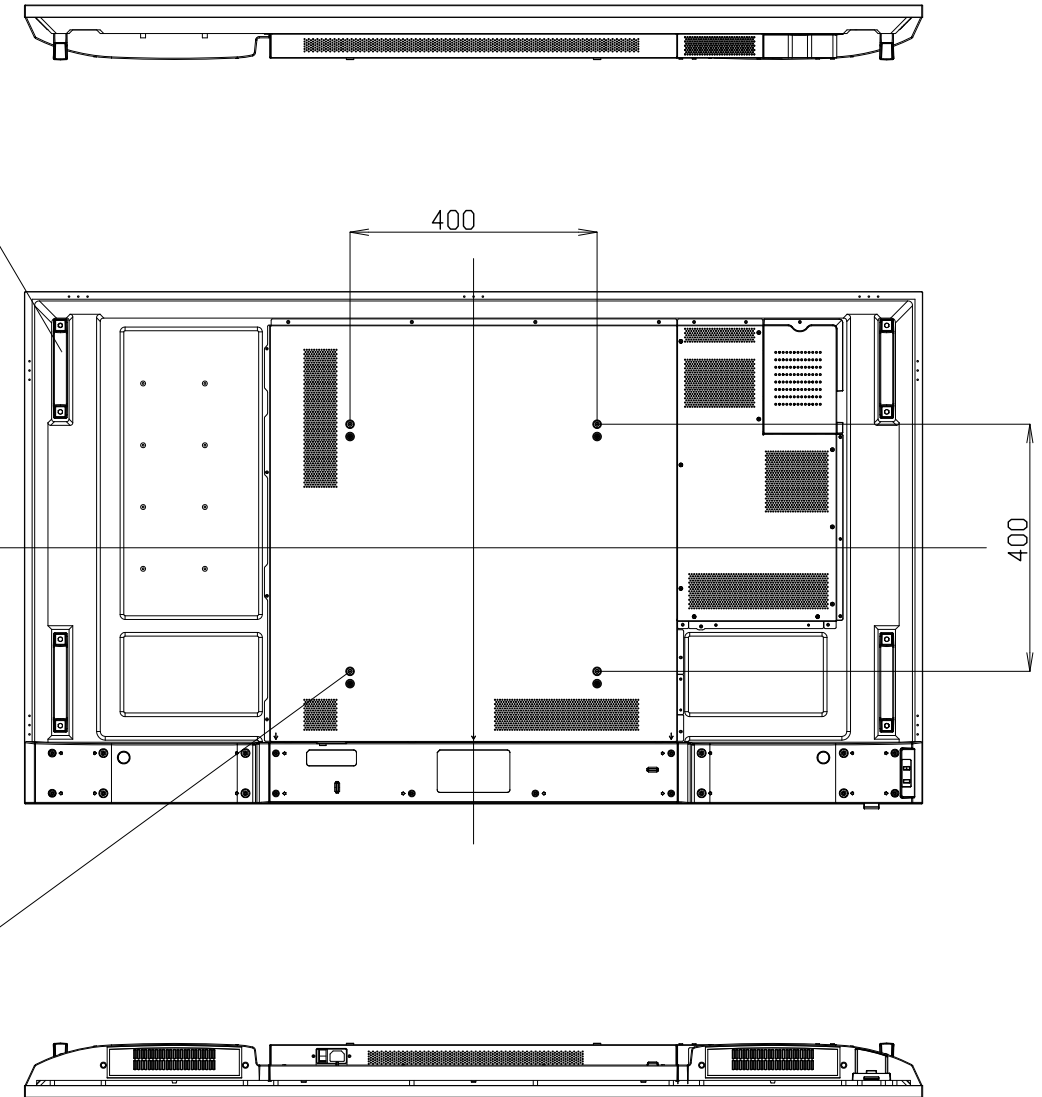


# PN-HB651/PN-HM651

## Dimensional Drawing



4-取り付け金具用ネジ穴  
4-Screw holes for mounting brackets



質量	約	29kg	単位	: mm
Weight	Approx.		Unit	: mm