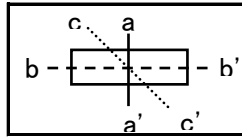
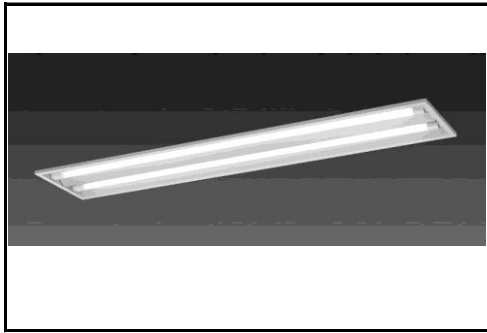
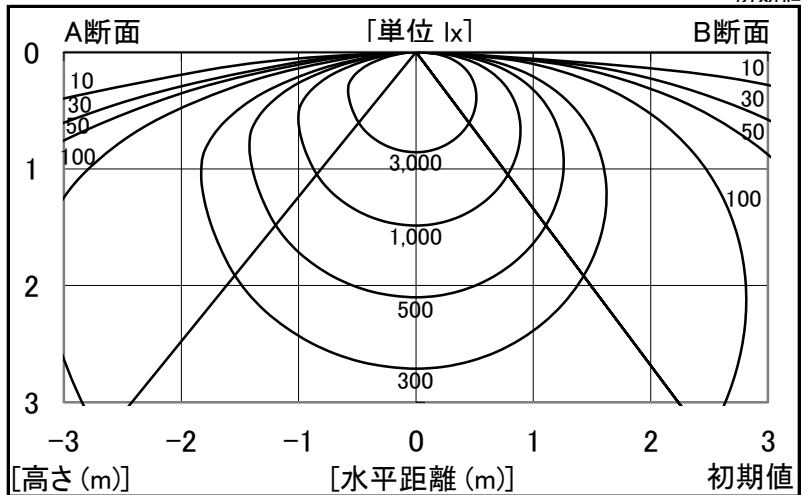


シャープ製LED照明器具 配光データシート 形名 DL-TK4202 (+DL-T442NM×2)

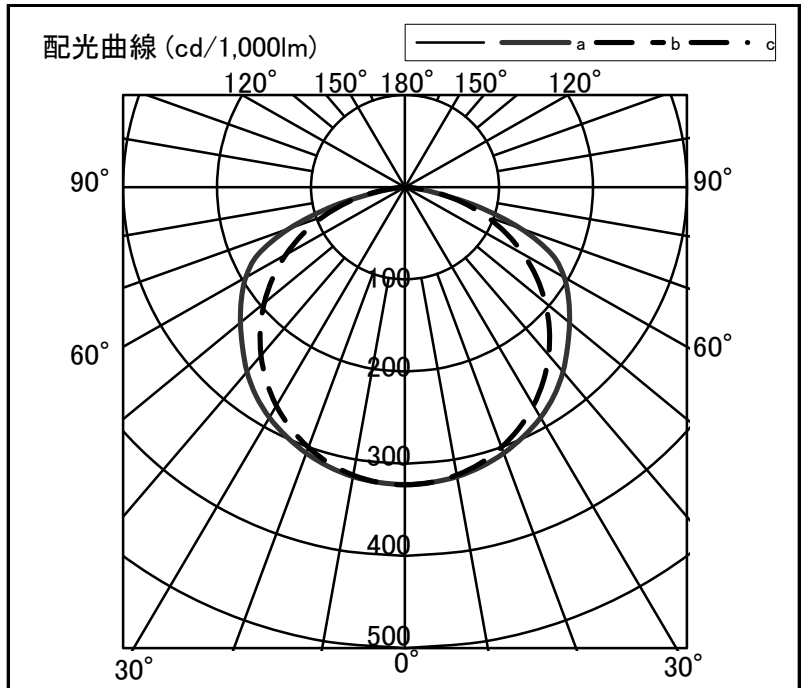


| | |
|------|----------|
| 器具光束 | 6,550 lm |
| 上方光束 | 0 lm |
| 下方光束 | 6,550 lm |
| 最大光度 | 2,114 cd |

| | |
|--------|------------------------|
| 光源 | 40形直管LEDランプ |
| 品番 | DL-T442NM × 2 |
| 口金 | GX16t-5 |
| 色温度 | 5000K |
| 保守率 | 良:0.76, 中:0.72, 否:0.64 |
| 最大取付間隔 | a-a 1.5H b-b 1.5H |
| 備考 | |



| 角度 | 光度[cd/1,000lm] | | |
|-----|----------------|------|------|
| | A-A' | B-B' | C-C' |
| 0 | 322 | 323 | - |
| 10 | 319 | 317 | - |
| 20 | 307 | 300 | - |
| 30 | 288 | 273 | - |
| 40 | 261 | 238 | - |
| 50 | 229 | 195 | - |
| 60 | 196 | 146 | - |
| 70 | 131 | 92 | - |
| 80 | 29 | 35 | - |
| 90 | 0 | 0 | - |
| 100 | 0 | 0 | - |
| 110 | 0 | 0 | - |
| 120 | 0 | 0 | - |
| 130 | 0 | 0 | - |
| 140 | 0 | 0 | - |
| 150 | 0 | 0 | - |
| 160 | 0 | 0 | - |
| 170 | 0 | 0 | - |
| 180 | 0 | 0 | - |



| 反射率 | 天井 | 80 | | | | | | 70 | | | | | | 50 | | | | 30 | | 20 | | 0 | |
|------|----|------------|-----|-----|-----|-----|-----|-----|-----|-----|-----|-----|-----|-----|-----|-----|----|-----|----|----|----|---|--|
| | | 壁 | | 50 | | 30 | | 70 | | 50 | | 30 | | 50 | | 30 | | 30 | | 10 | | 0 | |
| | 床 | 30 | 10 | 30 | 10 | 30 | 10 | 30 | 10 | 30 | 10 | 30 | 10 | 30 | 10 | 30 | 10 | 30 | 10 | 10 | 0 | 0 | |
| 室指数 | | 照度率(×0.01) | | | | | | | | | | | | | | | | | | | | | |
| 0.6 | | 61 | 56 | 46 | 44 | 37 | 36 | 59 | 55 | 46 | 43 | 37 | 36 | 44 | 42 | 36 | 35 | 36 | 35 | 30 | 28 | | |
| 0.8 | | 73 | 67 | 59 | 55 | 49 | 47 | 71 | 65 | 57 | 54 | 48 | 47 | 55 | 53 | 47 | 46 | 46 | 45 | 40 | 38 | | |
| 1.0 | | 82 | 73 | 67 | 63 | 58 | 55 | 79 | 72 | 66 | 62 | 57 | 54 | 63 | 60 | 55 | 53 | 54 | 53 | 48 | 46 | | |
| 1.25 | | 90 | 80 | 76 | 70 | 67 | 62 | 87 | 78 | 74 | 69 | 66 | 62 | 71 | 67 | 64 | 61 | 62 | 60 | 55 | 53 | | |
| 1.5 | | 95 | 84 | 83 | 75 | 73 | 68 | 92 | 82 | 81 | 74 | 72 | 68 | 77 | 72 | 70 | 66 | 67 | 65 | 61 | 59 | | |
| 2.0 | | 103 | 90 | 92 | 82 | 84 | 76 | 100 | 88 | 90 | 81 | 82 | 76 | 85 | 79 | 79 | 74 | 76 | 73 | 69 | 67 | | |
| 2.5 | | 108 | 93 | 99 | 87 | 91 | 86 | 104 | 92 | 96 | 86 | 89 | 81 | 91 | 84 | 85 | 80 | 82 | 78 | 75 | 72 | | |
| 3.0 | | 112 | 96 | 103 | 91 | 96 | 86 | 108 | 94 | 100 | 89 | 94 | 85 | 95 | 87 | 90 | 83 | 86 | 82 | 79 | 77 | | |
| 4.0 | | 117 | 99 | 110 | 95 | 104 | 91 | 112 | 98 | 106 | 94 | 101 | 90 | 100 | 92 | 96 | 89 | 91 | 87 | 84 | 82 | | |
| 5.0 | | 119 | 101 | 114 | 98 | 109 | 94 | 115 | 100 | 110 | 96 | 105 | 93 | 103 | 94 | 100 | 92 | 95 | 90 | 87 | 85 | | |
| 7.0 | | 123 | 103 | 118 | 101 | 114 | 98 | 118 | 102 | 114 | 100 | 111 | 97 | 107 | 97 | 104 | 95 | 99 | 94 | 91 | 89 | | |
| 10 | | 125 | 105 | 122 | 103 | 119 | 101 | 121 | 104 | 118 | 102 | 115 | 100 | 110 | 100 | 108 | 98 | 102 | 96 | 94 | 92 | | |