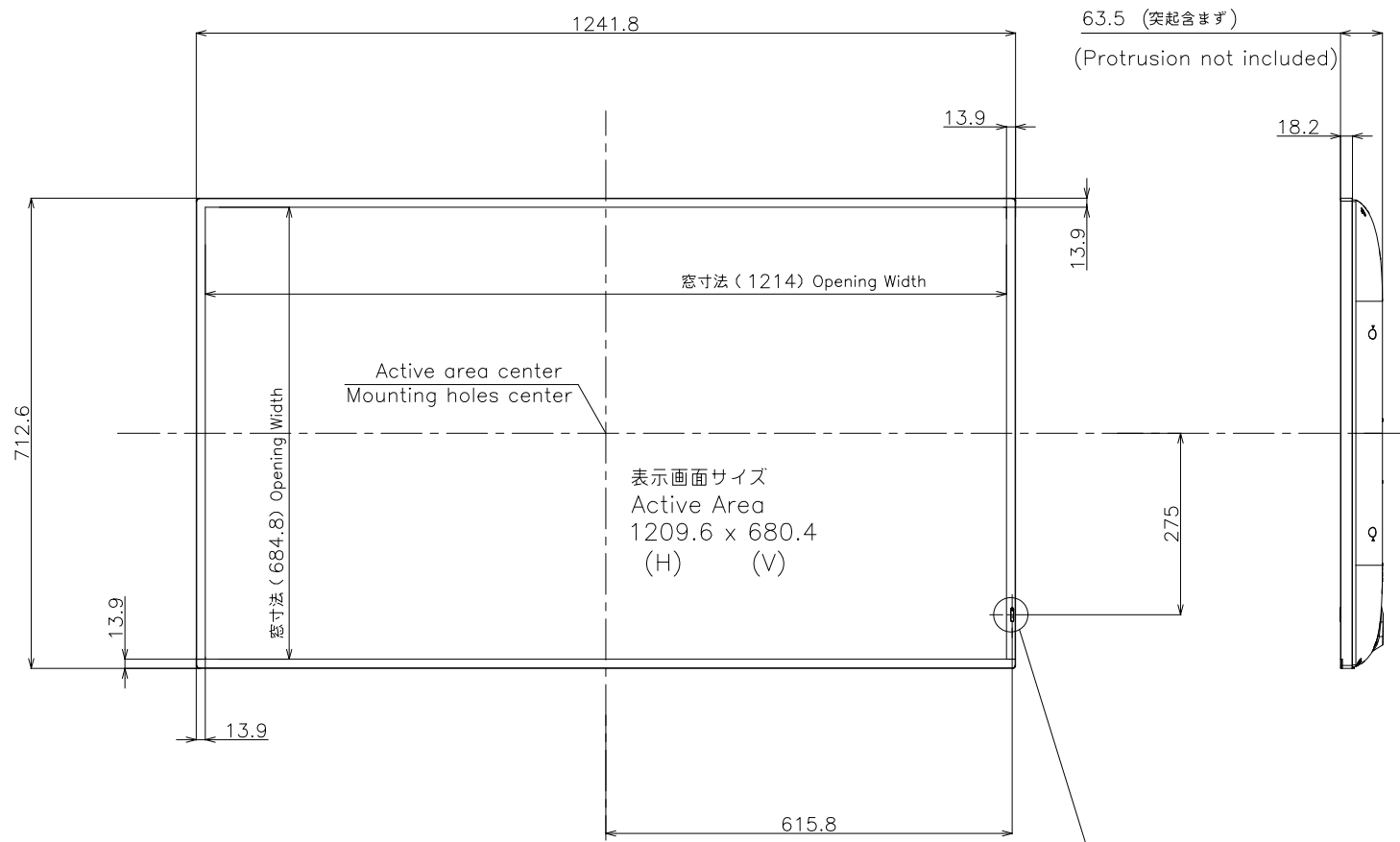


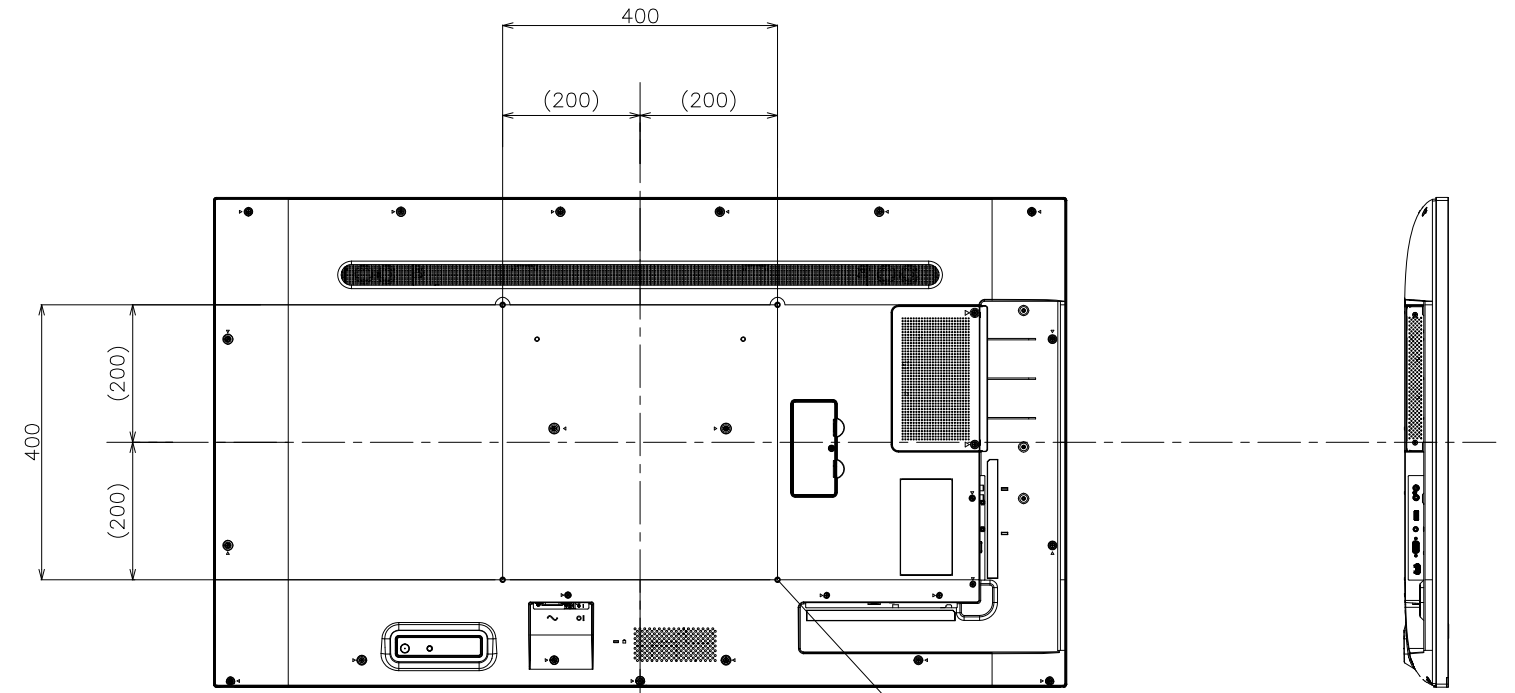
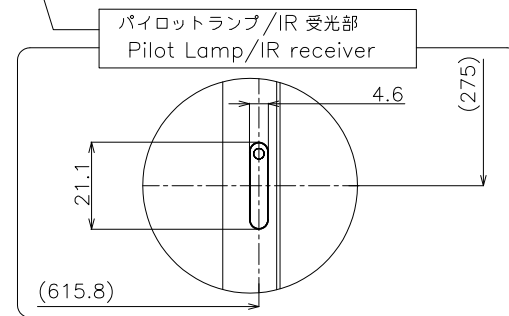
# PN-HS551

寸法図

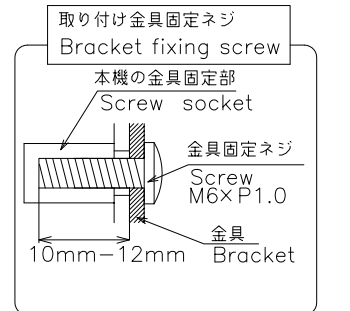
Dimensional Drawing



←  
縦置き設置時 上方向  
In portrait installation: this side up



4- 取り付け金具用ネジ穴  
4- Screw holes for mounting brackets



|        |         |      |      |
|--------|---------|------|------|
| 質量     | 18 kg   | 単位   | : mm |
| Weight | Approx. | Unit | : mm |